

ORP SENSOR

Water Quality Control

Product number: 105-00054



MAXIMUS[®]
An Ingersoll Rand Business

The ORP (oxidation-reduction potential) sensor measures redox potential. It indicates the oxidizing power, which is used to assess the overall sanitary quality of the water.

Connected to the MAXIMUS controller, this sensor transmits ORP data, enabling the producer to ensure that the right level is maintained to increase the effectiveness of chlorine in reducing bacteria in the water.



Features

- NPT 3/4 thread at top and bottom
- High precision
- Wide detection range
- Strong and durable
- Simple and convenient operation
- 1-year warranty

For All Types of Livestock

Inadequate water quality can adversely affect digestive health and well-being, as well as growth and productivity. It is therefore essential to ensure that they have access to clean water from an early age.

In fact, to guarantee quality water, pH and ORP levels are two important variables to monitor throughout the farming process, as the pH probe measurement helps determine the effectiveness of the chlorine, and the ORP probe measurement, whether the chlorine is at the right level to destroy contaminants properly.

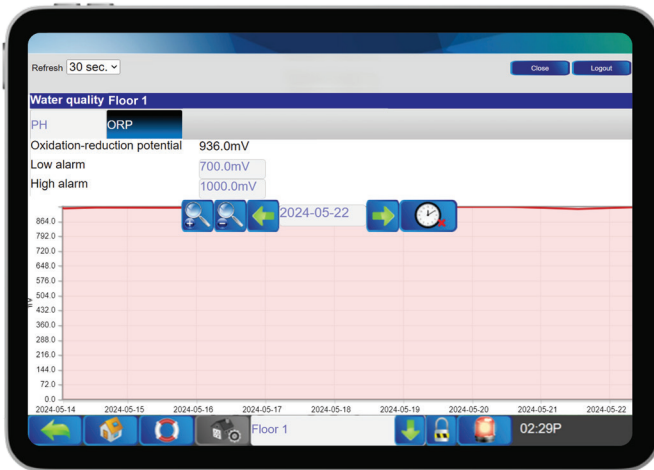
Detecting Anomalies and Sending Alerts

With the MAXIMUS system, measurements are continuously monitored, and alerts are immediately sent out in the event of problems.

This enables you to intervene quickly to correct any situation that could compromise the health of your animals, thus reducing the risk of disease or animal losses.

Measurement History

A detailed report of ORP measurements can be accessed and shared at any time. Graphical display of data over a specific interval provides a clear representation of water quality management.

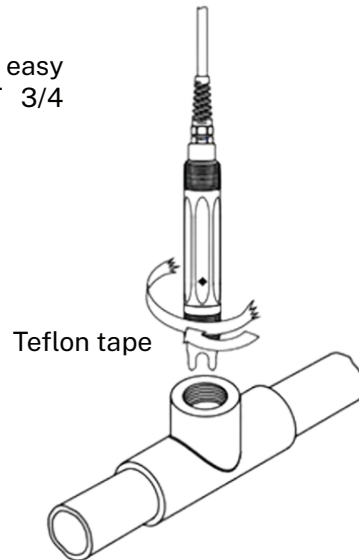


Date	Animal Age	Water oxidation-reduction potential	Min	Max
2024-05-16 10:41:10	3	929.9mV	926.7mV	935.9mV
2024-05-16 02:41:10	3	936.3mV	932.2mV	941.5mV
2024-05-15 18:41:10	2	931.6mV	927.0mV	934.0mV
2024-05-15 10:41:10	2	926.4mV	867.0mV	934.2mV
2024-05-15 02:41:10	2	931.1mV	925.7mV	934.9mV
2024-05-14 18:41:10	1	929.5mV	924.9mV	931.7mV
2024-05-14 10:41:10	1	928.4mV	920.7mV	932.4mV
2024-05-14 02:41:10	1			
2024-05-13 18:41:10	0			

Date	Animal Age	pH Level	Min	Max	Water oxidation-reduction potential	Min	Max
2024/05/16 10:00:36	36	5.7 PH	5.4 PH	5.9 PH	917.0 mV	916.4 mV	918.2 mV
2024/05/16 10:00:36	36	5.7 PH	5.3 PH	5.9 PH	915.6 mV	909.0 mV	925.7 mV
2024/05/16 10:00:36	36	5.7 PH	5.5 PH	5.9 PH	913.3 mV	902.0 mV	918.2 mV
2024/05/16 10:00:36	36	5.8 PH	5.4 PH	6.0 PH	911.1 mV	892.9 mV	921.4 mV
2024/05/16 10:00:36	36	5.6 PH	5.4 PH	6.0 PH	914.4 mV	902.2 mV	919.2 mV
2024/05/16 10:00:36	36	5.7 PH	5.4 PH	5.9 PH	911.8 mV	904.4 mV	917.8 mV
2024/05/16 10:00:36	35	5.8 PH	5.8 PH	6.0 PH	913.8 mV	904.5 mV	920.4 mV
2024/05/16 10:00:36	34	5.9 PH	5.8 PH	6.1 PH	908.8 mV	902.8 mV	920.5 mV
2024/05/16 10:00:36	33	5.9 PH	5.8 PH	6.1 PH	910.9 mV	898.5 mV	920.2 mV
2024/05/16 10:00:36	32	5.8 PH	5.5 PH	6.0 PH	910.4 mV	891.2 mV	924.4 mV
2024/05/16 10:00:36	31	5.8 PH	5.7 PH	6.0 PH	912.5 mV	905.7 mV	923.8 mV
2024/05/16 10:00:36	30	5.9 PH	5.7 PH	6.1 PH	911.5 mV	905.4 mV	918.9 mV
2024/05/16 10:00:36	29	6.0 PH	5.8 PH	6.2 PH	912.2 mV	907.4 mV	915.0 mV
2024/05/16 10:00:36	28	6.0 PH	5.9 PH	6.2 PH	912.0 mV	905.3 mV	923.5 mV
2024/05/16 10:00:36	27	6.0 PH	6.0 PH	6.2 PH	903.0 mV	892.0 mV	918.0 mV
2024/05/16 10:00:36	26	6.0 PH	5.9 PH	6.2 PH	908.8 mV	899.5 mV	913.9 mV
2024/05/16 10:00:36	25	6.0 PH	5.9 PH	6.2 PH	907.0 mV	900.0 mV	914.0 mV
2024/05/16 10:00:36	24	6.0 PH	5.9 PH	6.1 PH	904.0 mV	882.4 mV	916.2 mV
2024/05/16 10:00:36	23	6.0 PH	5.8 PH	6.1 PH	908.1 mV	903.7 mV	916.4 mV

Water line installation

The robust Ryton body is designed for easy installation on water lines using NPT 3/4 tapered threaded connections.



Technical Specifications

Detection range	-1500 mV to +1500 mV
Accuracy	±0,5 mV
Output signal	RS485
Operating environment	-10 to +80°C (<0,6 MPa)
Stability	≤1%/year
Power consumption	<0,4 W